

# CONQUEROR

OFF-ROAD Campers



## UEV-17

### URBAN ESCAPE VEHICLE



#### The ultimate in luxury.

Conqueror has once again set the tone for off-road camping in South Africa. The UEV-17 features an all new suspension and chassis design while the body comprises of durable composite material borrowed from the aeronautical industry that provides excellent insulation and weight benefits. Equipped with an industry first and patented bed design the UEV-17 sets up in just a few minutes.

[WWW.CONQUEROR.CO.ZA](http://WWW.CONQUEROR.CO.ZA)

# FEATURES



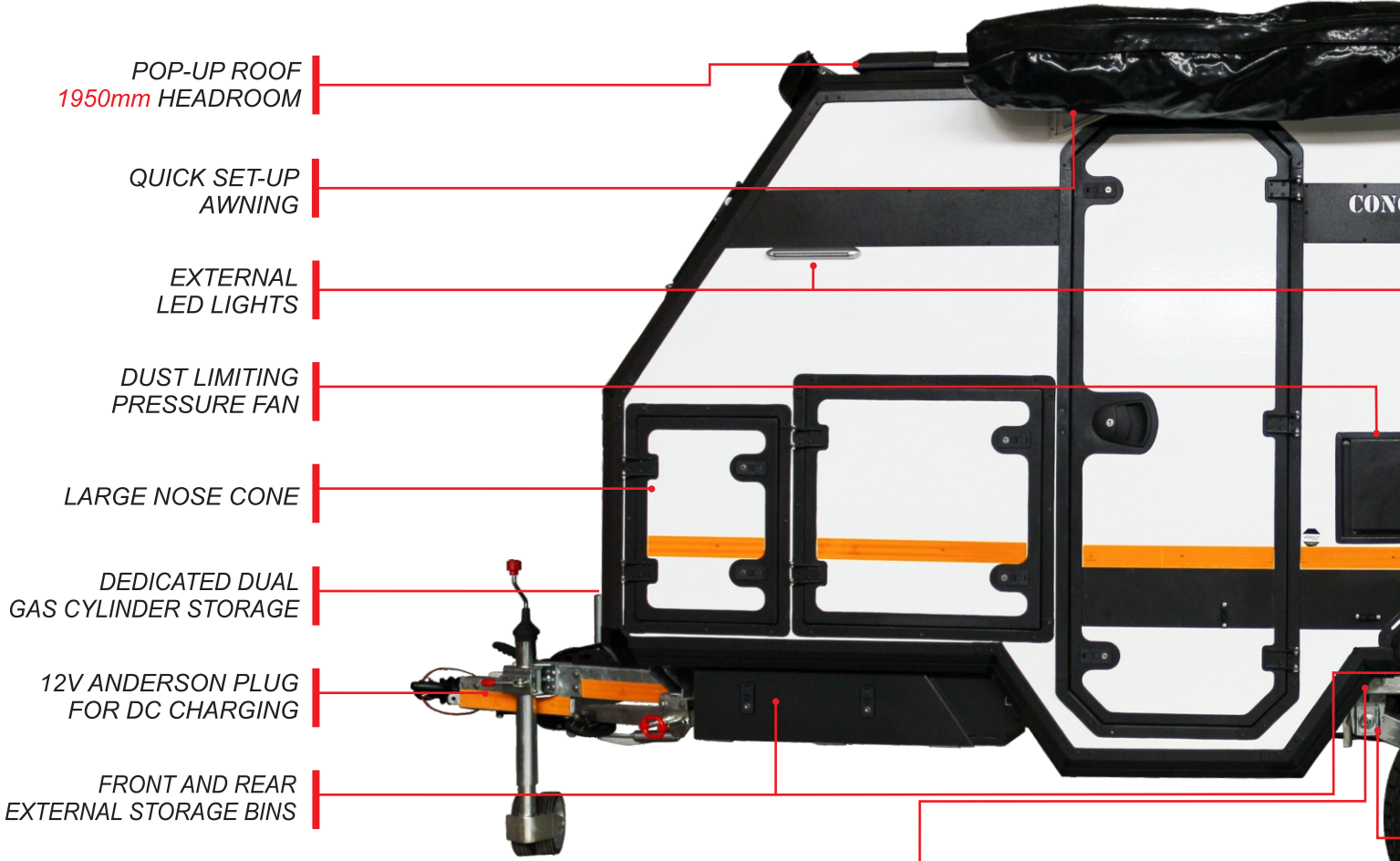
*Comfortable Front Foldout Double Bed*



*New patented and industry first "Quick-Fold" Side Bed*



*Side bed converted into Dining Area*



POP-UP ROOF  
1950mm HEADROOM

QUICK SET-UP  
AWNING

EXTERNAL  
LED LIGHTS

DUST LIMITING  
PRESSURE FAN

LARGE NOSE CONE

DEDICATED DUAL  
GAS CYLINDER STORAGE

12V ANDERSON PLUG  
FOR DC CHARGING

FRONT AND REAR  
EXTERNAL STORAGE BINS

**HOT DIPPED GALVANISED  
BOXED A-FRAME  
& CHASSIS**



*Conveniently laid-out kitchen, with instant hot water wash-up facility and easy to reach fridge.*

## TECHNICAL

- Front Bed Front
- Side Bed Size
- Internal Cupboards
- Internal Shelving
- Cabin Fans
- Media Center (Optional)
- Occupants Capacity



fits into a 4 seater toilet.



Easy Accessible outside shower with Hot & Cold water.



Interior basin with Hot & Cold water.



LARGE STORAGE RACK

EMERGENCY SPARE HUB

2 X JERRY CAN HOLDERS

WATER RESISTANT AC EXTERNAL MULTI PLUG

QUICK FOLDOUT STABILISER LEGS

LOW CENTRE OF GRAVITY 190L WATER TANKS

16" ALL-TERRAIN TYRES

DUAL INDEPENDENT SUSPENSION WITH COIL AND SHOCK OR OPTIONAL AIR SUSPENSION

1900mm(L) x 1570mm(W)

1980mm(L) x 1290mm(W)

15

4

2 (Optional)

1 (Optional)

4



Large 315L Grocery Cupboard and work surfaces for those night and day time snacks.

# SPECIFICATIONS



Utilizing a uniquely designed frame with telescopic arms and integrated drop-down legs, the awning sets up in just a few minutes. It's design does not require additional support poles and is manufactured using the highest quality materials that will endure the harshest conditions.



New patented and industry first "Quick-Fold" Bed that sets up in less than 2 minutes offering additional security with a hard wall design.

## TECHNICAL

Exterior Length	5335mm
Exterior Width	2042mm
Exterior Height	2380mm
Track Width	1740mm
Suspension	Quad Shock Independent Coil Suspension
Air Suspension	Optional - Air Suspension Upgrade
Tare	1450Kg
GVM	1800kg
Water Capacity	190L
AC Charger Output	24A/14.7V (max)
Deep Cycle Batteries	2
Tyres & Rims	16" Aluminium Alloy Rims 265/75/R16 Tyres